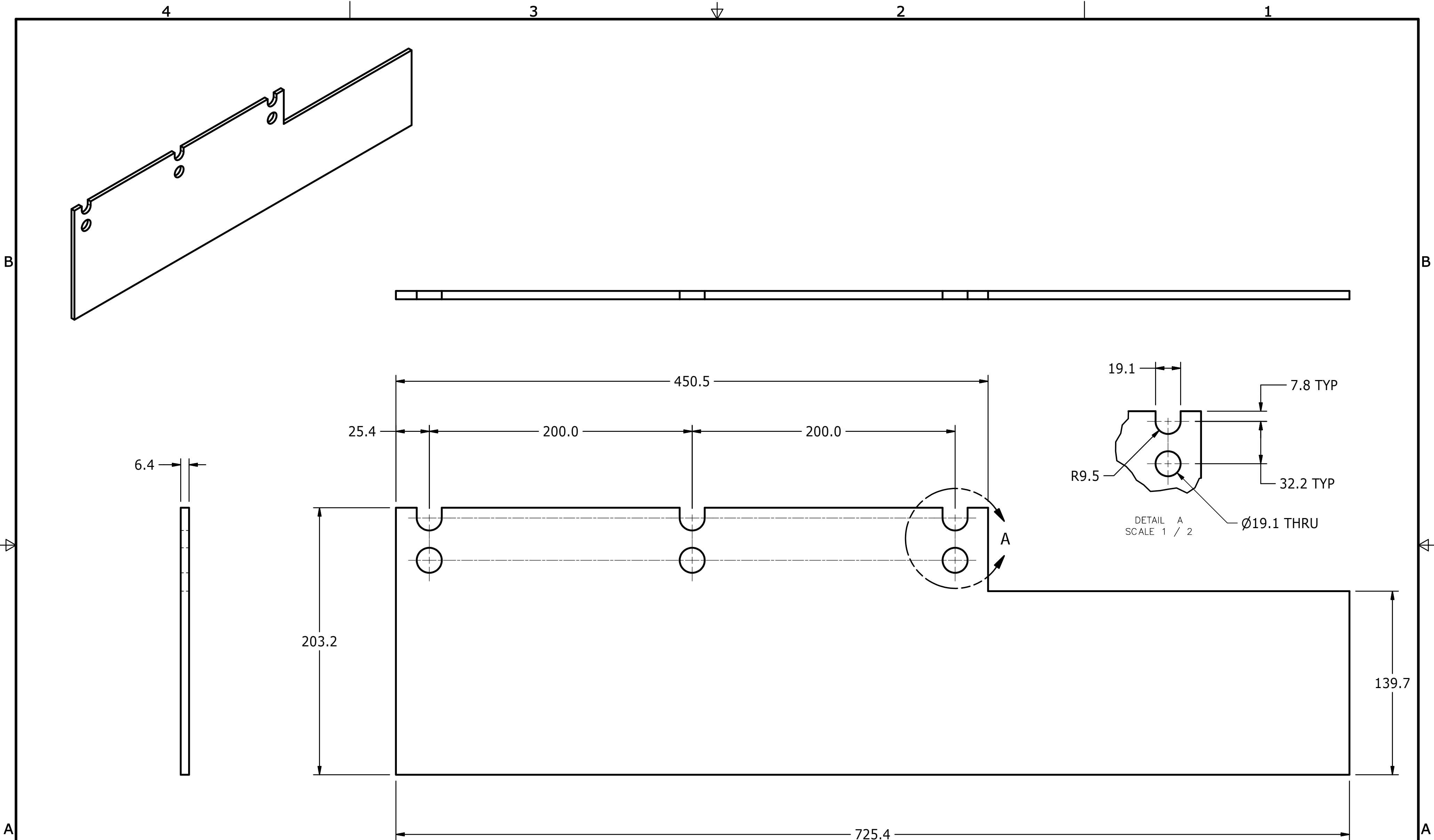



NOTE:  
WELDED CONSTRUCTION

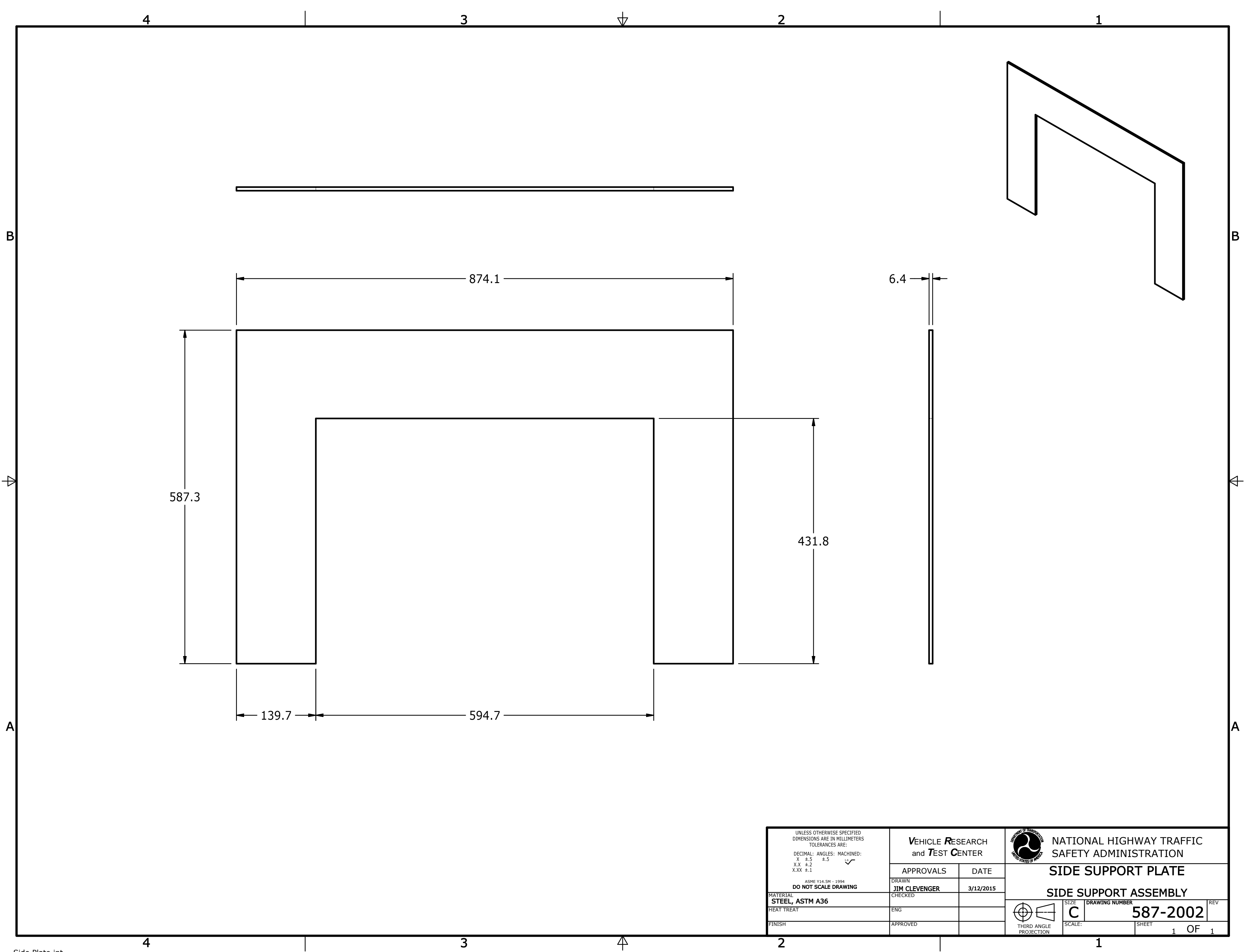
ITEM	QTY	PART NUMBER	DESCRIPTION	MATERIAL
5	1	587-2004	BALLAST BAR	STEEL, 1018
4	2	587-2003	BRACE TUBE	A500 GR B STEEL
3	2	587-2005	GUSSET	STEEL, ASTM A36
2	1	587-2002	SIDE SUPPORT PLATE	STEEL, ASTM A36
1	2	587-2001	MOUNTING PLATE	STEEL, ASTM A36


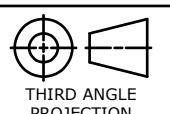
PARTS LIST

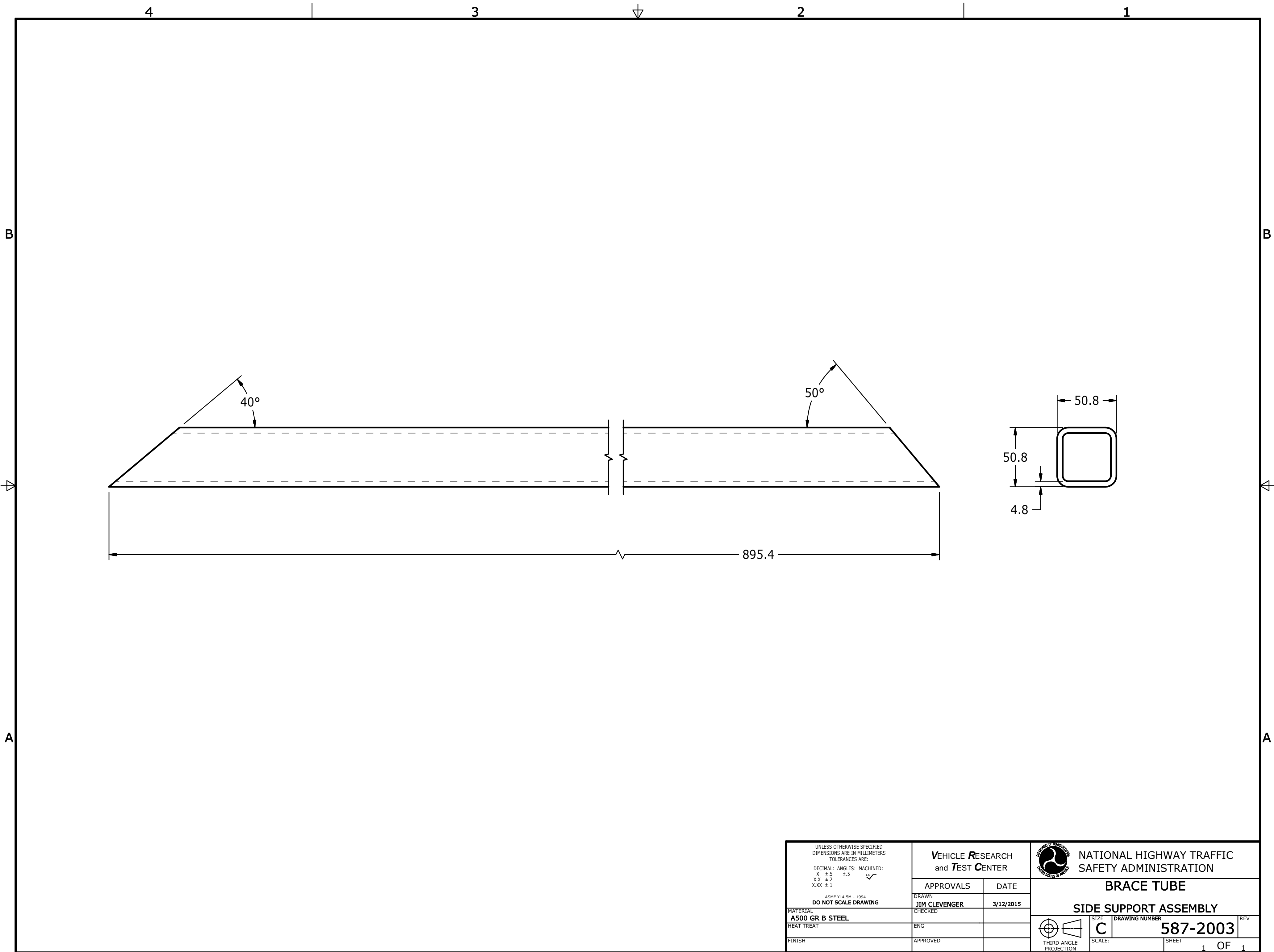
<small>UNLESS OTHERWISE SPECIFIED DIMENSIONS ARE IN MILLIMETERS TOLERANCES ARE: DECIMAL: ANGLES: MACHINED: X ±0.5 ±0.5 XX ±2 XXX ±1</small> <small>DO NOT SCALE DRAWING</small> <small>ASME Y14.5M - 1994</small>	<b>VEHICLE RESEARCH and TEST CENTER</b>		 <b>NATIONAL HIGHWAY TRAFFIC SAFETY ADMINISTRATION</b>
	APPROVALS DRAWN: JIM CLEVINGER CHECKED:	DATE 3/12/2015	
MATERIAL: <b>Steel, Mild, Welded</b> HEAT TREAT:	ENG:	APPROVED:	SIZE: <b>D</b> DRAWING NUMBER: <b>587-2000</b> SCALE: SHEET 1 OF 1

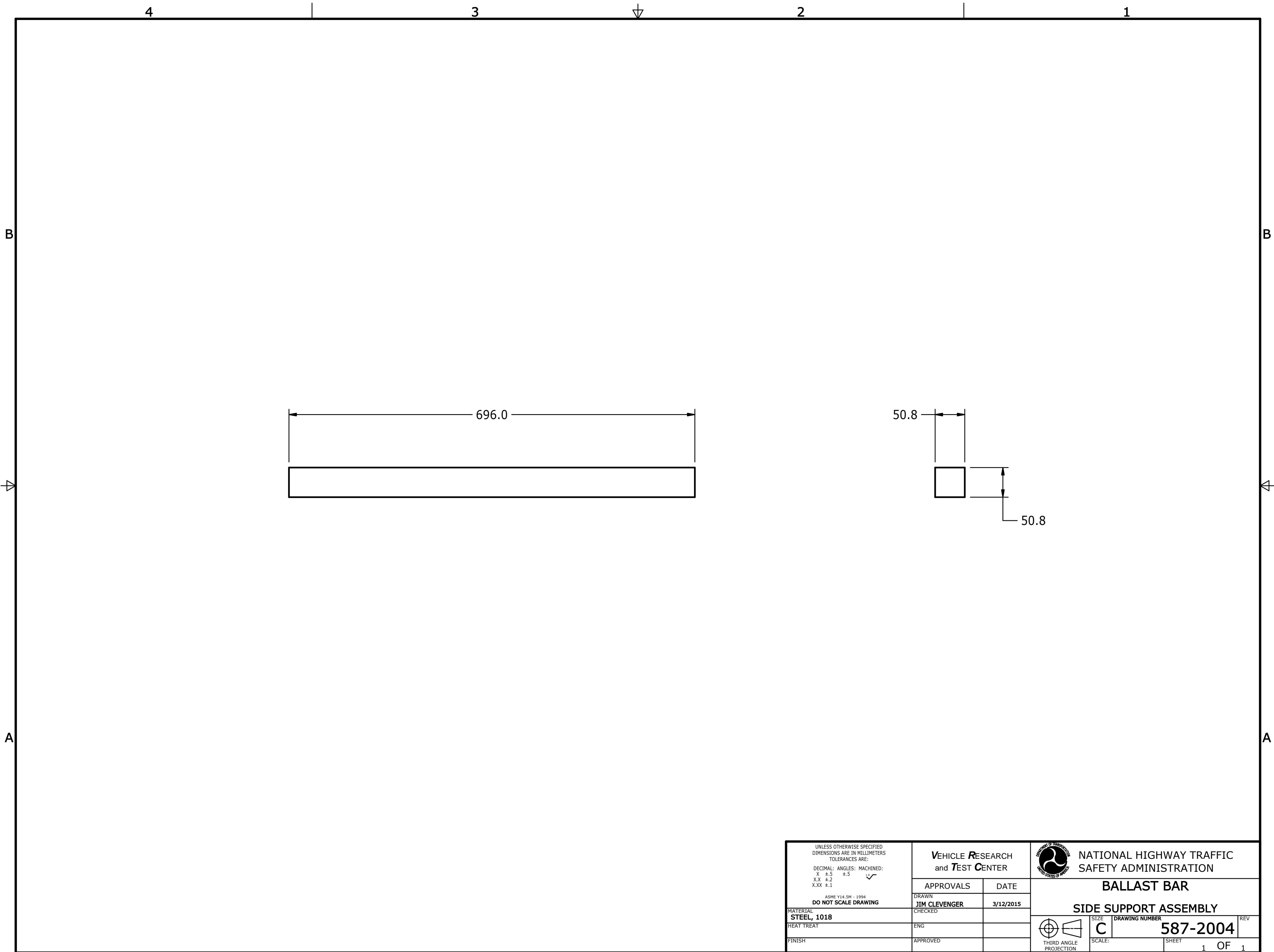



UNLESS OTHERWISE SPECIFIED DIMENSIONS ARE IN MILLIMETERS TOLERANCES ARE: DECIMAL: ANGLES: MACHINED: X ±.5 ±.5 ✓ X.X ±.2 X.XX ±.1 ASME Y14.5M - 1994 <b>DO NOT SCALE DRAWING</b>	<b>VEHICLE RESEARCH and TEST CENTER</b>		 <b>NATIONAL HIGHWAY TRAFFIC SAFETY ADMINISTRATION</b>
	APPROVALS <b>JIM CLEVENGER</b>	DATE <b>3/12/2015</b>	
MATERIAL <b>STEEL, ASTM A36</b>	DRAWN <b>JIM CLEVENGER</b>	CHECKED 	<b>SIDE SUPPORT ASSEMBLY</b>
HEAT TREAT 	ENG 	APPROVED 	SIZE <b>C</b>
FINISH 			DRAWING NUMBER <b>587-2001</b>
			SCALE: SHEET <b>1</b> OF <b>1</b>



<small>UNLESS OTHERWISE SPECIFIED DIMENSIONS ARE IN MILLIMETERS TOLERANCES ARE: DECIMAL: ANGLES: MACHINED: X ±.5 ±.5 ✓ X.X ±.2 X.XX ±.1</small> <small>ASME Y14.5M - 1994 DO NOT SCALE DRAWING</small>	<b>VEHICLE RESEARCH and TEST CENTER</b>		 <b>NATIONAL HIGHWAY TRAFFIC SAFETY ADMINISTRATION</b>
	<small>DRAWN</small> <b>JIM CLEVENGER</b>	<small>DATE</small> <b>3/12/2015</b>	
<small>MATERIAL</small> <b>STEEL, ASTM A36</b>	<small>CHECKED</small> 		<b>SIDE SUPPORT ASSEMBLY</b>
<small>HEAT TREAT</small> 	<small>ENG</small> 		<small>SIZE</small> <b>C</b>
<small>FINISH</small> 	<small>APPROVED</small> 		<small>DRAWING NUMBER</small> <b>587-2002</b>
		 <small>THIRD ANGLE PROJECTION</small>	<small>SCALE:</small> 
			<small>SHEET</small> <b>1 OF 1</b>





<small>UNLESS OTHERWISE SPECIFIED DIMENSIONS ARE IN MILLIMETERS TOLERANCES ARE: DECIMAL: ANGLES: MACHINED: X ±.5 ±.5 ✓ X.X ±.2 X.XX ±.1</small>  <small>ASME Y14.5M - 1994 DO NOT SCALE DRAWING</small>	<b>VEHICLE RESEARCH and TEST CENTER</b>		 <b>NATIONAL HIGHWAY TRAFFIC SAFETY ADMINISTRATION</b>
	APPROVALS <b>JIM CLEVENGER</b>	DATE <b>3/12/2015</b>	
MATERIAL <b>STEEL, 1018</b>	DRAWN <b>JIM CLEVENGER</b>	CHECKED <b>ENG</b>	<b>SIDE SUPPORT ASSEMBLY</b>
HEAT TREAT 	APPROVED 		<small>SIZE</small> <b>C</b> <small>DRAWING NUMBER</small> <b>587-2004</b> <small>REV</small>
FINISH 			<small>SCALE:</small> <small>SHEET</small> <b>1</b> <small>OF</small> <b>1</b>

4

3

2

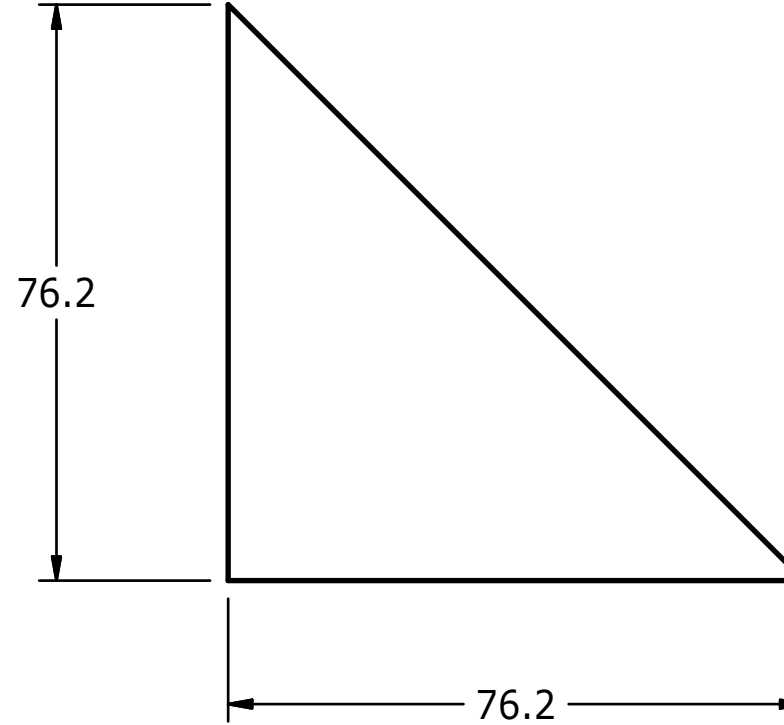
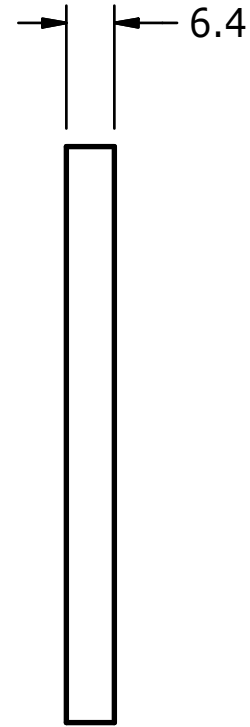
1

B

B

A

A



UNLESS OTHERWISE SPECIFIED  
DIMENSIONS ARE IN MILLIMETERS  
TOLERANCES ARE:

DECIMAL: ANGLES: MACHINED:  
X ±.5 ±.5 ✓  
X.X ±.2  
X.XX ±.1

ASME Y14.5M - 1994  
DO NOT SCALE DRAWING

MATERIAL	STEEL, ASTM A36
HEAT TREAT	
FINISH	

VEHICLE RESEARCH  
and TEST CENTER

APPROVALS

DATE

DRAWN  
JIM CLEVENGER

3/12/2015

CHECKED

ENG

APPROVED



NATIONAL HIGHWAY TRAFFIC  
SAFETY ADMINISTRATION

GUSSET

SIDE SUPPORT ASSEMBLY



SIZE	DRAWING NUMBER	REV
B	587-2005	

SCALE:	SHEET
	1 OF 1

4

3

2

1